

# Clarke®



## MOBILE PARTS WASHER

MODEL No: CWM20

Part No: 7630925

## OPERATING & MAINTENANCE INSTRUCTIONS



GC0514

## INTRODUCTION

Thank you for purchasing this **CLARKE** mobile parts washer. Before use, please read this instruction manual thoroughly and follow all directions carefully. By doing so you will ensure the safety of both yourself and others around you, and at the same time you can look forward to long and trouble free service from your mobile parts washer.

The CLARKE mobile parts washer is ideal for garage/workshop use when cleaning smaller automotive and machinery components,

## GUARANTEE

This product is guaranteed against manufacturing faults for a period of 12 months from the date of purchase. Always keep your receipt as proof of purchase.

This guarantee is invalid if the product is found to have been abused or tampered with in any way, or not used for the purpose for which it is intended. The reason for return must be clearly stated. This guarantee does not affect your statutory rights.

## ENVIRONMENTAL RECYCLING POLICY

Through purchase of this product, the customer is taking on the obligation to deal with the WEEE in accordance with the WEEE regulations in relation to the treatment, recycling & recovery and environmentally sound disposal of the WEEE.



In effect, this means that this product must not be disposed of with general household waste. It must be disposed of according to the laws governing Waste Electrical and Electronic Equipment (WEEE) at a recognised disposal facility.

## SPECIFICATIONS

Model : ..... CWM20

Part No:; ..... 7630925

Motor: ..... 230 V AC ~ 50Hz

Tank Capacity: ..... 22.5 Litres

Pump Capacity: ..... 1000 litres/hour

Weight: ..... 33 kg

Dimensions:

Lid Open: ..... (L x W x H) 975 x 555 x 1342 mm

Lid Closed: ..... (L x W x H) 975 x 555 x 930 mm

## FEATURES

- Accepts all common degreasing fluids.
- Fusible link automatically closes lid in case of fire.
- Built in replaceable filter.
- Easy maintenance solvent pump, (230V AC).

## CONTENTS

<b>Guarantee .....</b>	<b>2</b>
<b>Specifications .....</b>	<b>2</b>
<b>Features .....</b>	<b>3</b>
<b>Contents .....</b>	<b>3</b>
<b>Safety precautions .....</b>	<b>4</b>
<b>Electrical connections .....</b>	<b>5</b>
<b>Assembly .....</b>	<b>6</b>
<b>Operation .....</b>	<b>8</b>
<b>Cleaning and maintenance .....</b>	<b>9</b>
<b>Parts diagram .....</b>	<b>10</b>
<b>Parts list .....</b>	<b>11</b>

# SAFETY PRECAUTIONS



WARNING:



PERSONAL INJURY MAY RESULT IF NORMAL SAFETY PRECAUTIONS ARE OVERLOOKED OR IGNORED.

1. **ALWAYS** Read and become familiar with the entire operating manual before using the mobile parts washer.
2. **ALWAYS** Use suitable protective clothing, gloves and goggles, manufactured to the latest European Safety Standards. Everyday eyeglasses are not safety glasses.
3. **ALWAYS** clean off any accidental splashes of degreaser on the skin immediately, seek medical attention if necessary.
4. **ALWAYS** follow degreaser manufacturer instructions carefully.
5. **ALWAYS** check for damage. Before using the washer, any damaged part, should be checked to ensure that it will operate properly, and perform its intended function. Any damage should be properly repaired or the part replaced. If in doubt, **DO NOT** use the machine. Consult your local **CLARKE** dealer.
6. **ALWAYS** disconnect the mobile parts washer from the power supply before carrying out any maintenance or cleaning of the mobile parts washer.
7. **ALWAYS** keep work area clean. Cluttered areas and benches invite accidents, mop up accidental spillages of degreaser immediately.
8. **ALWAYS** ensure that adequate lighting is available.
9. **ALWAYS** keep children away. All visitors should be kept a safe distance from the work area, especially whilst operating the mobile parts washer.
10. **ALWAYS** Keep mobile parts washer clean for the best and safest performance. Follow maintenance instructions.
11. **ALWAYS** ensure the switch is in the off position before connecting the mobile parts washer to the mains.
12. **ALWAYS** concentrate on the job in hand, no matter how trivial it may seem. Be aware that accidents are caused by carelessness due to familiarity.
13. **ALWAYS** keep your proper footing and balance at all times and do not overreach.

# ELECTRICAL CONNECTIONS

Connect the mains lead to a standard 230 Volt (50Hz) electrical supply through an approved plug or a suitable fused isolator switch.


For your own safety, we recommend that this unit is fitted with a Residual Current Device (RCD).

*WARNING: THIS APPLIANCE MUST BE EARTHED.*

IMPORTANT: The wires in the mains lead are coloured in accordance with the following code:

Green and Yellow	-	Earth
Blue	-	Neutral
Brown	-	Live

As the colours of the flexible cord of this appliance may not correspond with the coloured markings identifying terminals in your plug, proceed as follows:

- Connect GREEN & YELLOW coloured cord to plug terminal marked with a letter "E" or Earth symbol  or coloured GREEN or GREEN & YELLOW.
- Connect the BROWN cord to the terminal marked "L" or coloured RED.
- Connect the BLUE cord to the terminal marked "N" or coloured BLACK.

## Fuse Rating

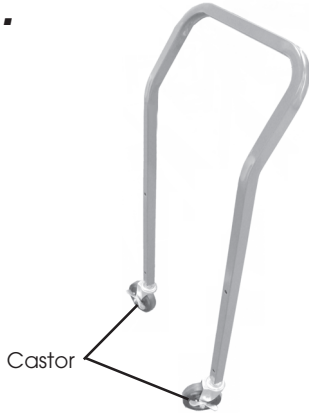
The fuse in the plug for this appliance must be rated at **3 amps** and any replacement must be ASTA approved to BS1362.

If this appliance is fitted with a plug which is moulded onto the electric cable (i.e. non-rewirable) please note:

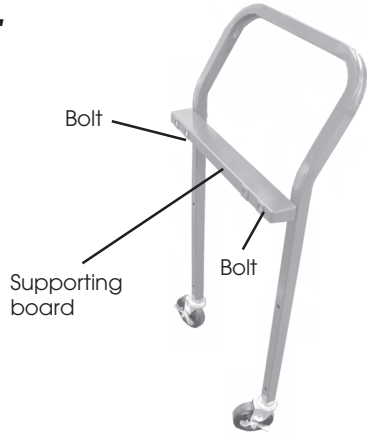
1. The plug must be thrown away if it is cut from the electric cable. There is a danger of electric shock if it is then inserted in a socket outlet.
2. Never use the plug without the fuse cover fitted.
3. Should you wish to replace a detachable fuse carrier, ensure that the correct replacement is used (as indicated by marking or colour code).
4. Replacement fuse covers can be obtained from your local dealer or most electrical stockists.

# ASSEMBLY

**1.**



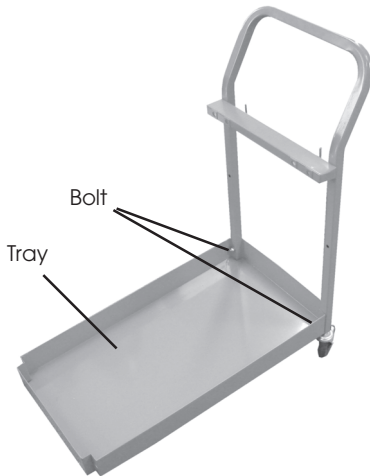
**2.**



1. Fit the two castors to each of the side posts.

2. Fit a supporting board to each of the side posts and secure using 2 M8x40mm hex bolts, 4 flat washers and 2 hex nuts.

**3.**



**4.**



3. Place the tray into position and fix in place using 2 M8x40mm hex bolts, 4 flat washers and 2 hex nuts.

4. Position the second side post as shown and secure using 2 M8x40mm hex bolts, 4 flat washers and 2 hex nuts.

## ASSEMBLY

5.



5. Position the draining tray as shown above and fix in place using 4 M8x40mm hex bolts, 8 flat washers and 4 hex nuts.

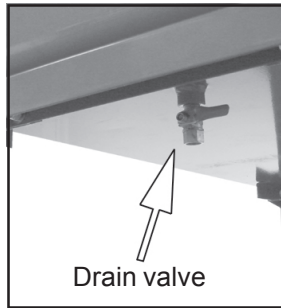
6.



6. Slide the oil tank into position as shown above.

## ASSEMBLY

7.



7. Place the tank onto the supporting boards and secure in place using 8 M8x15mm bolts, 8 flat washers and 4 hex nuts.
8. Insert the drain valve into the tank as shown above

## OPERATION

1. Open the tank lid and fill the tank with a nonflammable degreaser or cleaning agent, such as Clarke's degreaser, to just below the level of the parts shelf. **DO NOT fill with flammable solvents such as paraffin, thinners, etc.**
2. Insert the mains plug into a suitable mains outlet.
3. Using the On/Off button, switch the pump on. Hold the part to be cleaned under the flexible nozzle, slowly rotate the part until the part is clean.
4. When clean, leave the part to drain on draining tray until dry.
5. Switch off the pump, close the lid and disconnect the power supply.
6. Remove gloves and goggles and store safely.

**Note: To prevent an accident, any spillages should be mopped up immediately**

### IMPORTANT:

1. The lid stay incorporates a safety device in the form of a thermally activated safety link, which closes the lid in the event of fire. The link is non-resetting and must be replaced in the event of it operating.
2. Do not allow the level of liquid in the mobile parts washer to fall below the pump inlet, as damage to the pump can result.

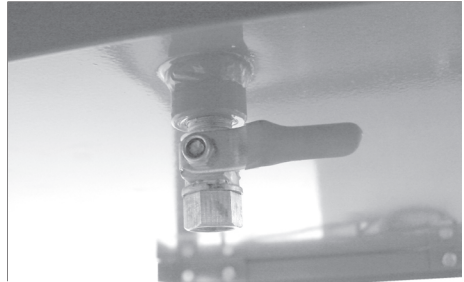


# CLEANING AND MAINTENANCE

## Draining the tank

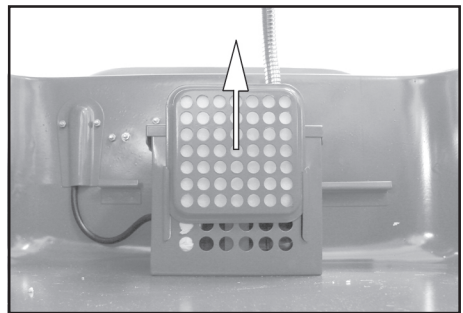
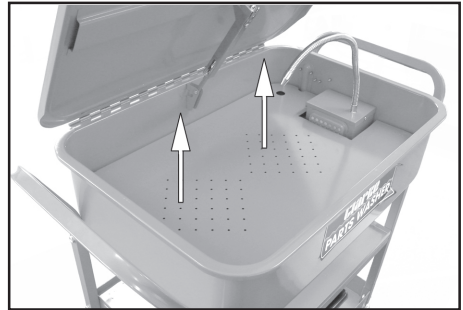
1. Open the drain valve on the underside of the tank .
  - The liquid will drain onto the draining tray below and into the oil tank for disposal.

Make sure that the oil tank does not over fill.



## Changing the filter

1. Lift out the parts shelf.
  2. Slide the filter holder up from the pump as shown.
3. Remove the filter from the holder and replace.
4. Refit the filter holder.

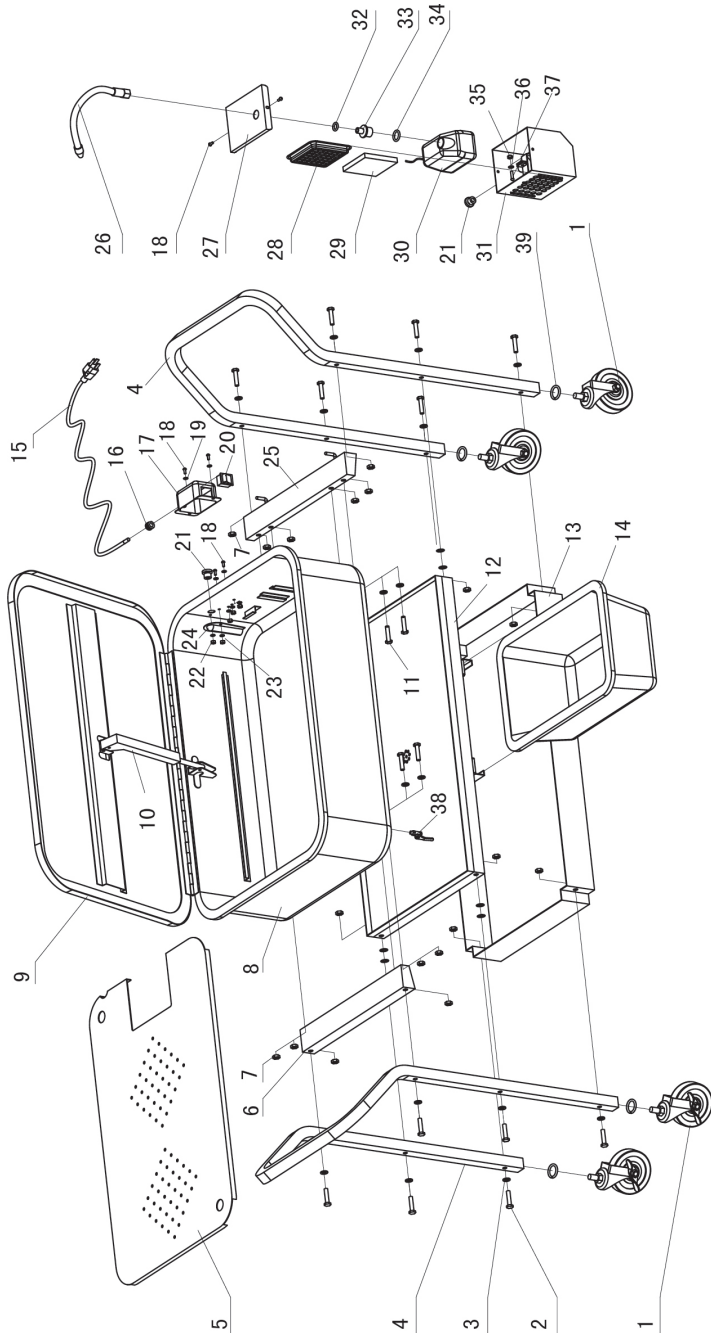


3. Remove the filter from the holder and replace.
4. Refit the filter holder.

**Caution: Do not use the parts washer without the filter in place.**



# PARTS DIAGRAM



# PARTS LIST

No.	Description	Part No.	No.	Description	Part No.
1	Castor	HTCWM20001	21	Wire Guard	HTCWM20021
2	Hex Bolt M8x40	HTCWM20002	22	Hex Nut M4	HTCWM20022
3	Flat Washer M8	HTCWM20003	23	Spring Washer	HTCWM20023
4	Side Post	HTCWM20004	24	Flange, Wire	HTCWM20024
5	Parts Shelf	HTCWM20005	25	Supporting Board Right	HTCWM20025
6	Supporting Board, Left	HTCWM20006	26	Flexible Nozzle	HTCWM20026
7	Hex Nut M8	HTCWM20007	27	Pump Housing Cover	HTCWM20027
8	Tank	HTCWM20008	28	Filter Cover	HTCWM20028
9	Tank Lid	HTCWM20009	29	Filter	HTCWM20029
10	Fusible Link	HTCWM20010	30	Pump Assembly	HTCWM20030
11	Hex Bolt M8x15	HTCWM20011	31	Pump Housing	HTCWM20031
12	Draining Tray	HTCWM20012	32	Seal Ring	HTCWM20032
13	Tray	HTCWM20013	33	Spigot	HTCWM20033
14	Oil Tank	HTCWM20014	34	Seal Ring	HTCWM20034
15	Power Cord	HTCWM20015	35	Hex Nut M5	HTCWM20035
16	Cable Strain Relief	HTCWM20016	36	Flat Washer	HTCWM20036
17	Switch Box	HTCWM20017	37	Screw M5x20	HTCWM20037
18	Screw M4x10	HTCWM20018	38	1/4" Drain Valve	HTCWM20038
19	Flat Washer M4	HTCWM20019	39	Spring Washer	HTCWM20039
20	ON/OFF Switch	HTCWM20020			

**PARTS & SERVICE TEL: 020 8988 7400**

**or e-mail as follows:**

**PARTS: [Parts@clarkeinternational.com](mailto:Parts@clarkeinternational.com)**

**SERVICE: [Service@clarkeinternational.com](mailto:Service@clarkeinternational.com)**

## IMPORTANT:

The use of parts other than CLARKE replacement parts may result in safety hazards, decreased tool performance and may invalidate your warranty.

# A SELECTION FROM THE VAST RANGE OF

# Clarke®

## QUALITY PRODUCTS

### AIR COMPRESSORS

From DIY to industrial, Plus air tools, spray guns and accessories.

### GENERATORS

Prime duty or emergency standby for business, home and leisure.

### POWER WASHERS

Hot and cold, electric and engine driven - we have what you need

### WELDERS

Mig, Arc, Tig and Spot. From DIY to auto/industrial.

### METALWORKING

Drills, grinders and saws for DIY and professional use.

### WOODWORKING

Saws, sanders, lathes, mortisers and dust extraction.

### HYDRAULICS

Cranes, body repair kits, transmission jacks for all types of workshop use.

### WATER PUMPS

Submersible, electric and engine driven for DIY, agriculture and industry.

### POWER TOOLS

Angle grinders, cordless drill sets, saws and sanders.

### STARTERS/CHARGERS

All sizes for car and commercial use.



**PARTS & SERVICE: 020 8988 7400**

**E-mail: [Parts@clarkeinternational.com](mailto:Parts@clarkeinternational.com) or [Service@clarkeinternational.com](mailto:Service@clarkeinternational.com)**

**SALES: UK 01992 565333 or Export 00 44 (0)1992 565335**

**Clarke® INTERNATIONAL** Hemnall Street, Epping, Essex CM16 4LG  
[www.clarkeinternational.com](http://www.clarkeinternational.com)